

Part number

MHV 48 L40



Brief description:

hoods for single lever, size "104.62", top entry, M40, metal version, IP66

Product description

| | |
|--------------|------------------------|
| Version | metal version |
| Series | hoods for single lever |
| Product type | with 2 pegs |
| Variant | top entry |
| Family | CLASS enclosures |
| Size | size "104.62" |

Technical data

| | |
|-------------------------|--------------------------------|
| Material | metal |
| IP degree of protection | IP66 (and IP69K DIN 40050 - 9) |
| Cable entry | M40 |

Further technical details

| | |
|--------|----------|
| Weight | 758,00 g |
|--------|----------|

Approvals / Standards

| | |
|--------------|----------------------------|
| Quality mark | UL (type:4/4X/12), CE, EAC |
| Conformity | CQC, CE |

General ordering information

| | |
|---------------|---------------|
| EAN13 code | 8015747056410 |
| Tariff number | 85369095 |

Packaging Information

| | |
|---------------------------|----------------------|
| Packaging length | 190,00 mm |
| Packaging height | 140,00 mm |
| Packaging width | 290,00 mm |
| Packaging weight | 2,80 kg |
| Packaging volume | 7,71 dm ³ |
| Packaging description | Carton box |
| Packaging quantity | 4 Pcs |
| Packaging EAN code | 8015747056427 |
| Sub-packaging weight | 0,70 kg |
| Sub-packaging description | Plastic pakaging |
| Sub-packaging quantity | 1 Pcs |
| Sub-packaging EAN barcode | 8015747056434 |

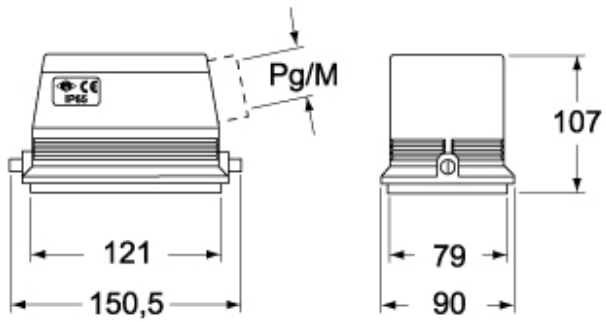
Part number

MHV 48 L40



Catalogue drawings

CHO L - MHO L - MFO L



CHV L - MHV L - MFV L

